

iQGLASS



Specification | Slim Casement Window

IQ Glass Slim Aluminium Casement Window

Configurations

IQ's Aluminium Casement window is internally glazed, opens outwards can be specified as side hung or top hung

Glass

4mm toughened outer / 16mm argon filled cavity / 4mm toughened inner with low e coating

Available on request: Low Iron Glass, Low Maintenance Coatings, Solar Control Coatings, IQ Heated Glass, Privacy Glass, Electro Chromic Glass, Coloured/Decorative Interlayers (available on small sizes), Acoustic Interlayer (available on small sizes), Anti Reflective Glass

Glass thickness: 25-34mm

Maximum panel weight: 30kg in a side hung window, 50kg in a top hung window

Frame

Aluminium, thermally broken framing with a square bead

Visible Profile 63.5mm

Vent Profile 51mm

Frame Depth 70mm

Colour frames can be powder coated any RAL colour

Maximum Size Side Hung: 650mm wide x 1200mm high

Top Hung: 1200mm wide x 1000mm high

(larger sizes are available with a 89.5mm surrounding frame, contact IQ for more information)

Iron Mongery

Locking: reverse action espagnolette with 3 point key locking and night locking position

Handles: stainless steel with push button lock and key

Hinges hidden egress friction hinges, 14mm, ferritic stainless steel, white or satin chrome

Performance

Air Permeability Class 4 to EN12207

Water Resistance 9A to EN12208

Resistance to Wind Load B5 to EN12210

Security Tested to PAS 24, Secured by Design accreditation pending

Thermal Performance Uw value of 1.4 W/m²K (using a DGu of 1.2 W/m²K and PT thermal breaks)

Optional

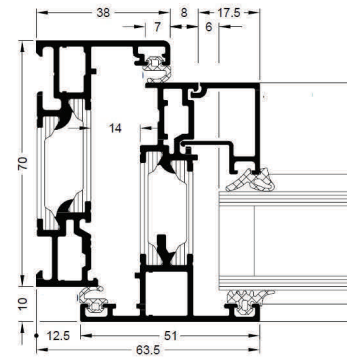
Corner Joints 900 or 1350 corner mullion available

Cills Integral cills of 15mm, 80mm or 120mm available

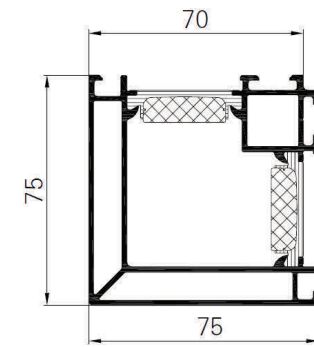
Opening Limiter stainless steel opening limiter

Construction and Installation

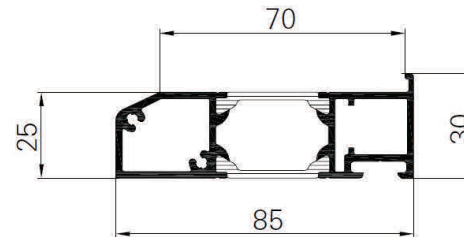
All installation to be carried out by IQ Glass in accordance with IQ Glass design drawings which are produced uniquely per project with an assumed wind load of 0.65 kN/m² unless otherwise specified



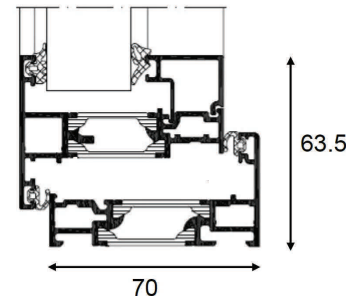
63.5mm side profile frame



90 degree corner mullion



15mm optional cill



63.5mm base profile frame



Handle in Satin Chrome

IQ Glass UK

01494 722 880 | www.iqglassuk.com | sales@iqglassuk.com